



Building essentials
for a better tomorrow™

ULTRA BLUE™ PVCO

AWWA C909 PIPE

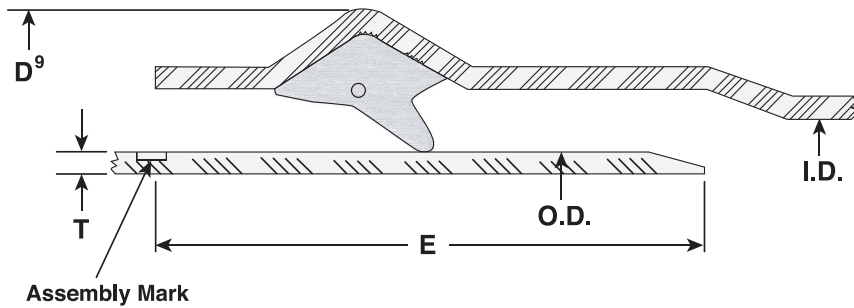


SUBMITTAL AND DATA SHEET

PIPE SIZE (IN)	APPROX. BELL O.D. (IN)	AVERAGE O.D. (IN)	MIN. T. (IN)	APPROX. ID (IN)	STOP LINE DISTANCE MIN. E (IN)	APPROX. WEIGHT (LBS/FT)	APPROX. WEIGHT (LBS/JNT)
Pressure Class 235*							
6	8.53	6.90	0.221	6.43	5 3/4	3.21	69
8	10.83	9.05	0.290	8.44	6 1/2	5.50	117
10	13.43	11.10	0.356	10.35	7 1/4	8.36	169
12	15.72	13.20	0.423	12.31	7 3/4	11.87	239
Pressure Class 165							
16	20.05	17.40	0.395	16.56	9 1/2	14.51	300

* UL 1285 Listed — 6"-12" PC 235

* Check for availability.



I.D. : Inside Diameter
 O.D. : Outside Diameter
 T. : Wall Thickness
 D° : Bell Outside Diameter
 E : Distance between Assembly Mark to the end of spigot.

- Product Standard: ANSI/AWWA C909
UL1285 6"-12" PC 235
- Pipe Compound: ASTM D1784 Cells Class 12454
- Gasket: ASTM F477
- Integral Bell Joint: ASTM D3139
- Certifications: ANSI/NSF Standard 61
UL1285 6"-12" PC 235
- Pipe Length: 20 feet (+/- 1") laying length
- Installation: AWWA C605
JM Eagle™ Installation Guide

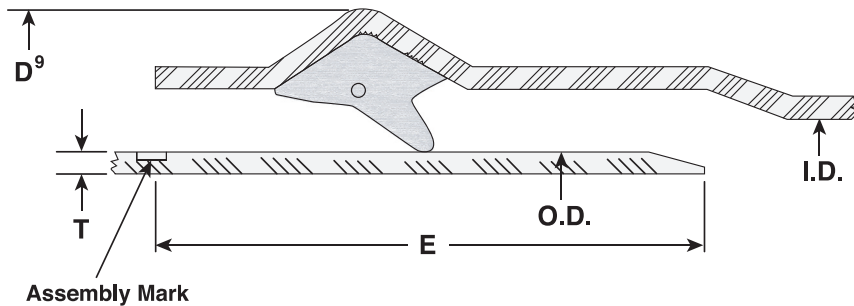
ULTRA BLUE™ PVCO

IPS 200 PSI

ASTM F-1483

SUBMITTAL AND DATA SHEET

PIPE SIZE (IN)	APPROX. BELL O.D. (IN)	AVERAGE O.D. (IN)	MIN. T. (IN)	APPROX. I.D. (IN)	STOP LINE DISTANCE MIN. E (IN)	APPROX. WEIGHT (LBS/FT)	APPROX. WEIGHT (LBS/JNT)
Pressure Rating 200							
6	8 1/8	6.625	0.182	6.24	4 1/2	2.5	51
8	10 1/4	8.625	0.236	8.13	4 1/2	4.2	84
10	12 1/4	10.750	0.295	10.13	5 1/2	6.4	127
12	14 3/4	12.750	0.349	12.02	5 1/2	8.9	179



I.D. : Inside Diameter
 O.D. : Outside Diameter
 T. : Wall Thickness
 D° : Bell Outside Diameter
 E : Distance between Assembly Mark to
 the end of spigot.

Product Standard: ASTM F1483
 Pipe Compound: ASTM D1784 Cells Class 12454
 Gasket: ASTM F477
 Integral Bell Joint: ASTM D3139
 Certifications: ANSI/NSF Standard 61
 Pipe Length: 20 feet (+/- 1") laying length
 Installation: AWWA C605
 JM Eagle™ Installation Guide