

Eagle Loc 900RL

PRESSURE-RATED PVC PIPE INTERNAL RESTRAINED JOINT



DELIVERING GOOD WATER TO YOU



AWWA C900 PIPE UL 1285 LISTED
FM 1612, ASTM D1784 Cell Class 12454
ANSI/NSF 61

MARKETS



Potable



Irrigation



Reclaim



Sewer

DESCRIPTION

Available Pipe Sizes C900 (CIOD)

4", 6", 8", 10", 12", 16"

Nominal Laying Length: 20 feet *(Laying length tolerances are in accordance with approval standards)*

Color: Blue Green Purple White



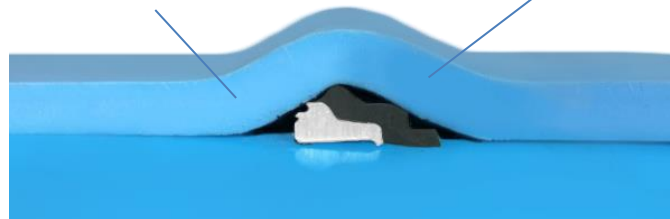
Eagle Loc 900RL™ Restraining Technology

STAINLESS LOCKING SEGMENTS

Locking segments engage progressively as load increases

RIEBERLOK GASKET

Proprietary seal tolerates dimensional variation of pipe bells and deflection



AWWA C900

305 psi	DR 14
235 psi	DR 18
165 psi	DR 25

Note: FM Approvals Pressure Class 185 psi for DR18 and 250 psi for DR14.

BENEFITS

INSTALLATION >

Feasible for multiple applications: open-trench, road bore, and casing application.

Easy installation: simple push-on assembly.

Field-cut with a power saw or handsaw; bevel without complicated machinery.

Eagle insertion stop prevents over-belling/over-insertions.

FEATURES >

Unaffected by corrosive elements: sewer gas, sulfuric acid, alkaline, or acidic soils.

Consistency in carrying capacity (flow coefficient, C=150), for savings in pumping and size of pipe.

Does not need lining wrapping, coating or cathodic protection to prevent galvanic corrosion.



Eagle Loc 900RL

PRESSURE-RATED PVC PIPE INTERNAL RESTRAINED JOINT



DELIVERING GOOD WATER TO YOU

SUBMITTAL AND DATASHEET

PIPE SIZE (IN)	AVERAGE O.D. (IN)	NOM. I.D. (IN)	MIN. T. (IN)	APPROX. E ₁ (IN)	APPROX. E ₂ (IN)	APPROX. D ⁹ (IN)	APPROX. WGT (LBS/FT)
PRESSURE CLASS 305 psi (DR 14)							
PIPE STIFFNESS: 815 psi							
4	4.80	4.07	0.343	4.50	5.50	6.365	3.20
6	6.90	5.86	0.493	5.25	6.25	8.887	6.70
8	9.05	7.68	0.646	6.25	7.25	11.499	11.60
10	11.10	9.42	0.793	7.25	8.25	14.072	17.60
12	13.20	11.20	0.943	8.25	9.25	16.57	25.10
16	17.40	14.85	1.242	7.25	8.75	21.637	43.77
PRESSURE CLASS 235 psi (DR 18)							
PIPE STIFFNESS: 364 psi							
4	4.80	4.23	0.267	4.50	5.50	6.204	2.60
6	6.90	6.09	0.383	5.25	6.25	8.654	5.30
8	9.05	7.98	0.503	6.25	7.25	11.195	9.20
10	11.10	9.79	0.617	7.25	8.25	13.699	13.90
12	13.20	11.65	0.733	8.25	9.25	16.125	19.70
16	17.40	15.35	0.967	7.25	8.75	21.135	34.86
PRESSURE CLASS 165 psi (DR 25)							
PIPE STIFFNESS: 129 psi							
4	4.80	4.39	0.192	4.50	5.50	6.045	1.90
6	6.90	6.31	0.276	5.25	6.25	8.427	3.90
8	9.05	8.28	0.362	6.25	7.25	10.896	6.70
10	11.10	10.16	0.444	7.25	8.25	13.332	10.10
12	13.20	12.08	0.528	8.25	9.25	15.69	14.40
16	17.40	15.92	0.696	7.25	8.75	20.561	25.38

Product Standard: AWWA C900-16 Pipe UL 1285 Listed

Pipe Compound: ASTM D1784 Cell Class 12454

Certifications: ANSI/NSF 61,

FM 1612 (DR 14, 18, 4"-12")

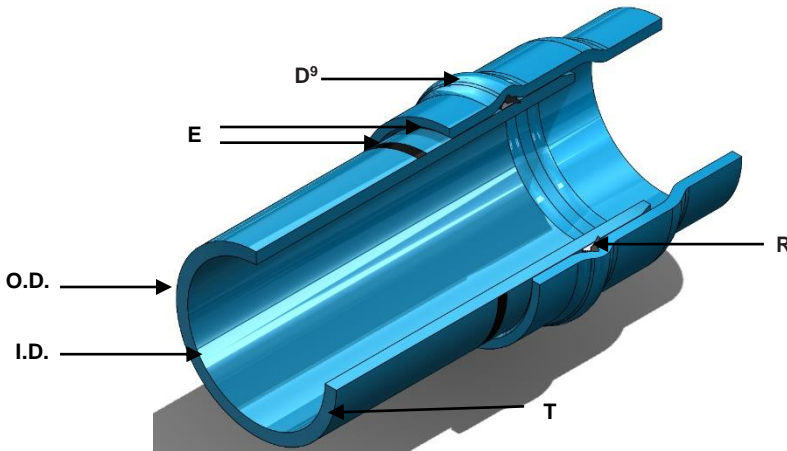
Nominal Laying Length: 20 feet

(Laying length tolerances are in accordance with approval standards)

Installation: JM Eagle™ Eagle Loc 900RL Installation Guide

Manning Coefficient (n) = 0.009

Hazen-Williams Coefficient (c) = 150



I.D.: Inside Diameter

O.D.: Outside Diameter

E: Distance between Assembly Marks and the end of the spigot.

R: Eagle Loc Gasket

T: Wall Thickness

D⁹: Bell Outside Diameter

